

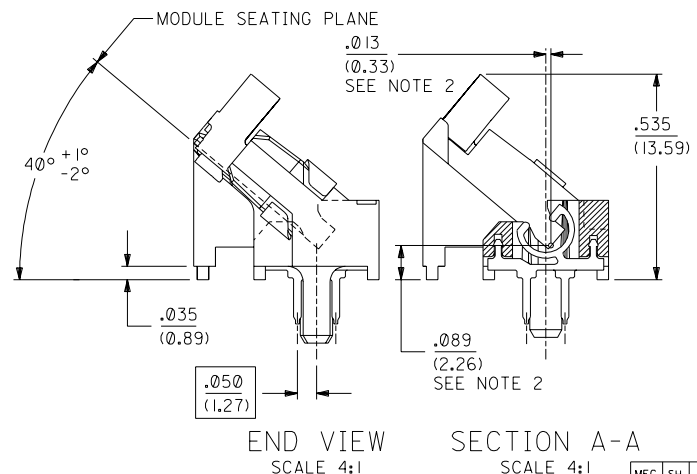
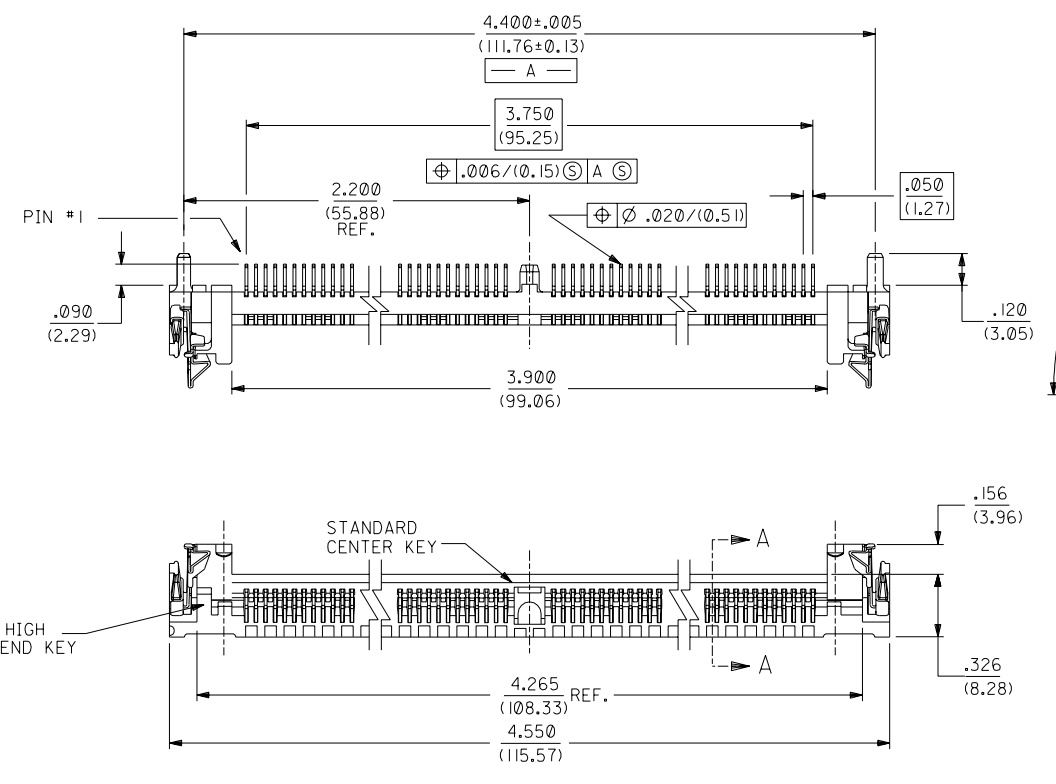
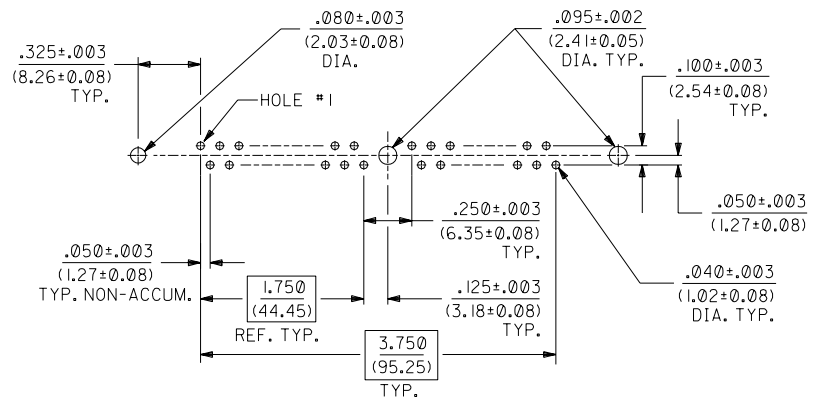
**NOTES:**

- CARD SLOT ACCEPTS P.C. BOARDS .050 +.004/-0.003 THICK, MEASURED OVER CONTACT PADS. (1.27 +0.10/-0.08)
- LOCATION OF LOWER CORNER OF MODULE BOARD.
- PRODUCT SPEC PS-78954 APPLIES.
- CENTER PEG IS AN INTERFERENCE FIT TO RECOMMENDED P.C. BOARD HOLE.

**MATERIALS:**

- HOUSING: LCP, GLASS FILLED, 94V-0. COLOR: BLACK.
- LATCH: STAINLESS STEEL.
- TERMINAL: PHOSPHOR BRONZE, POST PLATED
- 200 μm/(5.08 μm) MINIMUM TIN IN CONTACT AREA AND 150 μm/(3.81 μm) MINIMUM TIN IN TAIL AREA OVER 50 μm/(1.27 μm) MINIMUM NICKEL OVERALL.

THE PRIMARY SHIPPING CARTON WILL BE LABELED "COMPLIANT TO RoHS DIRECTIVE 2002/95/EC AND ELV ANNEX II OF DIRECTIVE 2000/53/EC". CARTONS WITHOUT THIS LABEL MAY CONTAIN PRODUCT WITH LEAD.



DIMENSIONS SHOWN (METRIC) INCH UNLESS OTHERWISE SPECIFIED TOLERANCES: ANGULAR ± 1/2°		▽ = 0 ▲ = 0 REVISE ONLY ON CAD SYSTEM	
3 PLACE ± .010	---	TITLE	
2 PLACE ± .014	± 0.25	SALES ASSY. 72 CIRCUIT	
1 PLACE ---	± 0.36	40° METAL LATCH HIGH KEY	
DRAFT WHERE APPLICABLE MUST REMAIN WITHIN DIMENSIONS		SINGLE ROW SIMM SOCKET	
DRWG. BY: DKS	CHK'D. BY:	PART NO. 15-82-0649	DRWG. NO. SDA-78976-7246
APP'D. BY:	SCALE 2:1	FILE NAME: ST0976-46.DGN	SHEET NO. 1 OF 1 DATE: 02/23/95
THIS DRAWING CONTAINS INFORMATION THAT IS PROPRIETARY TO MOLEX INC. AND SHOULD NOT BE USED WITHOUT WRITTEN PERMISSION.		DIV. DA	